



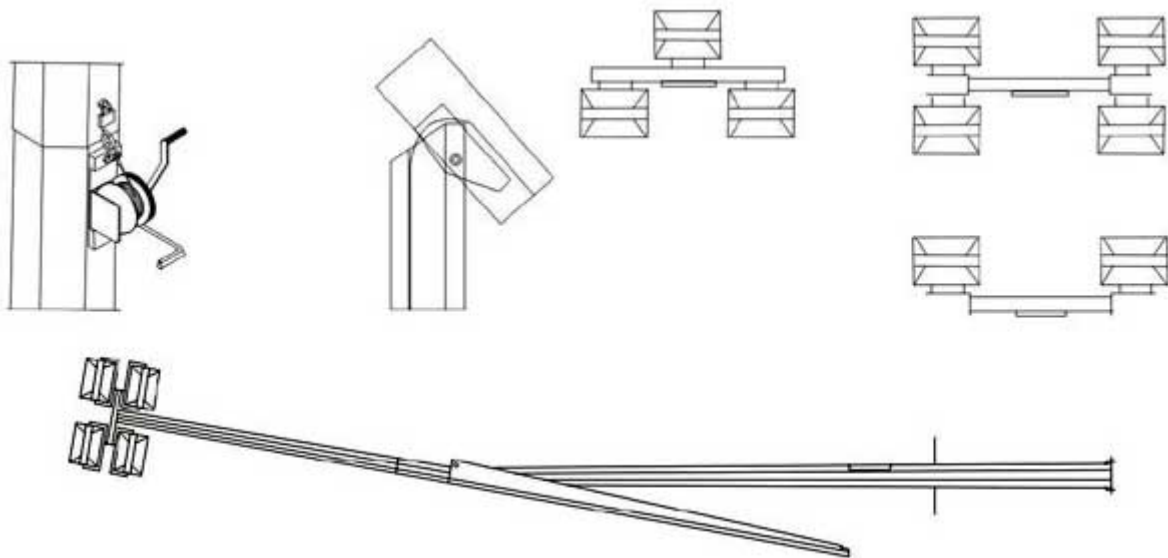
☰ Menu



Hinged Pole

Hinged pole specifications:

1. Hinged Pole Material: mild steel Q235 with yield strength 235 Mpa. Mild steel Q345 with yield strength 345 Mpa.
2. Welding penetration MIN 60%, American Lincoln welding flux, wire solder and soldering machine (automatic submerged arc welding)
3. Pole can be pulled down and up by a rope or winch.
4. Steel thickness max 6mm.
5. Finish: hot dip galvanized or powder coated.



Tips:

The pole lights are generally used for normal roads, but it is not very absolute, and the lighting configuration, such as the magnetic pole 10 lamps. of course, the two lamps are more illuminant than the power and the wider high bar.

The pole lamp generally refers to not installing an automatic lifting device and

adopting a bayonet to perform lighting in a slightly smaller range, the light source is generally about six, and the height generally refers to 9-18 meters.

Contact Information

Wanfun Lighting Equipment CO., LTD.

Lucheng, Changzhou, Jiangsu China.

+86-574-2881-0298

export@cissr.com

We aim to reply within 24 hours.

Catalog

Lighting Pole

Outdoor Lighting

Contact Us

News

2006-2018 © CISSR Copyright